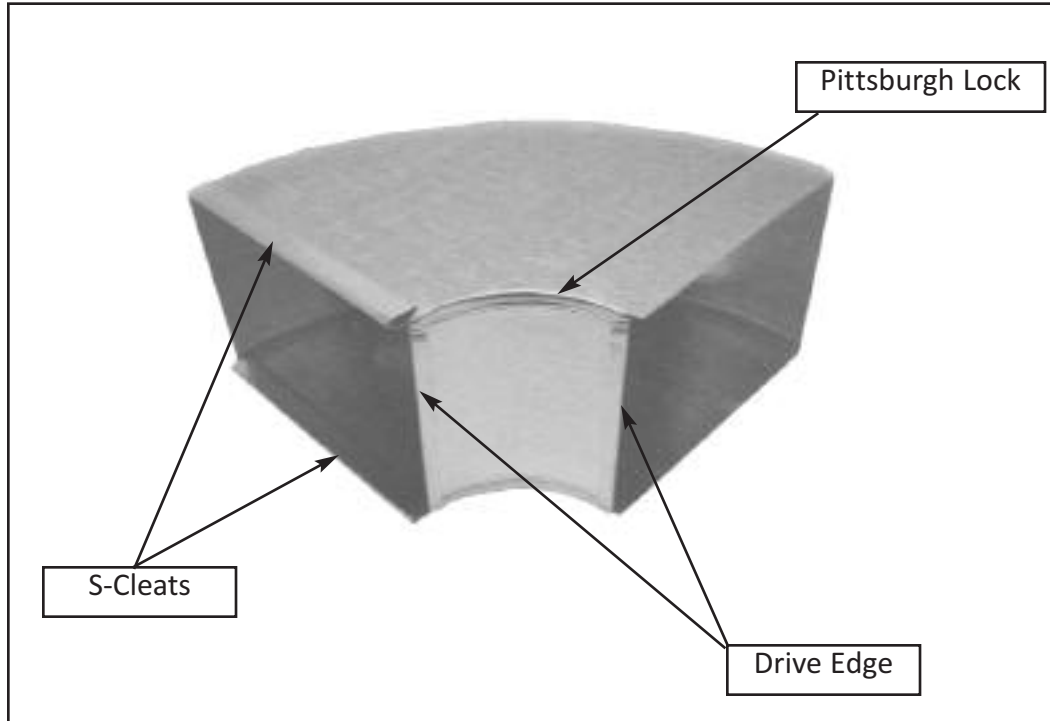




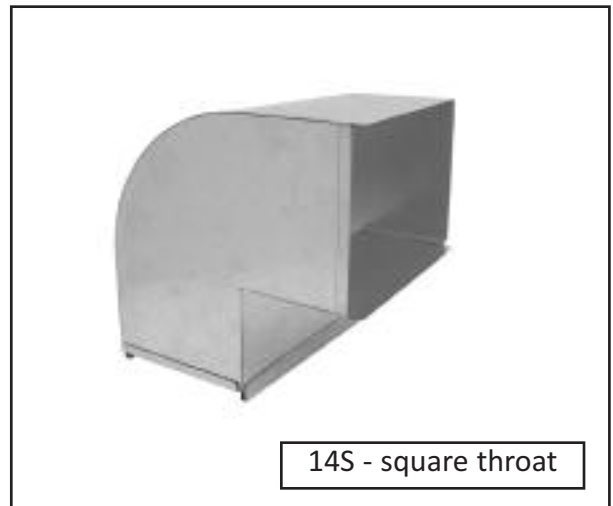
FLAT 90° ELBOW (Model No. 14)



SPECIFICATIONS:

Technical Data

- Material: Hot Dipped Galvanized Steel per ASTM A653 CS Type B
- S-Lock & Drive Type
- 26 Gauge
- Pittsburgh Lock
- Available "Radius" or "Square"
(Radius Shown above)



SOUTHWARK METAL MFG. CO.

Indianapolis Division
10401 E. 59th Street
Indianapolis, IN 46236
(800) 490-7707
FAX (317) 823-1006

SOUTHWARK METAL MFG. CO.

Philadelphia Division
2800 Red Lion Rd.
Philadelphia, PA 19114
(800) 523-1052
FAX (800) 722-2076

SOUTHWARK METAL MFG. CO.

Greenville Division
255 Bessie Road - Hwy 86
Piedmont, SC 29673
(800) 229-2803
FAX (864) 845-6190

SOUTHWARK METAL MFG. CO.

Nebraska Division
2073 North Rademakers Way
Fremont, NE 68025
(800) 801-0336
FAX (402) 753-9008



SOUTHWARK METAL MFG. CO.

Mississippi Division
8680 Stanton Road
Southaven, MS 38671
(800) 541-6706
FAX (662) 393-8005