



**SOUTHWARK METAL MANUFACTURING COMPANY**

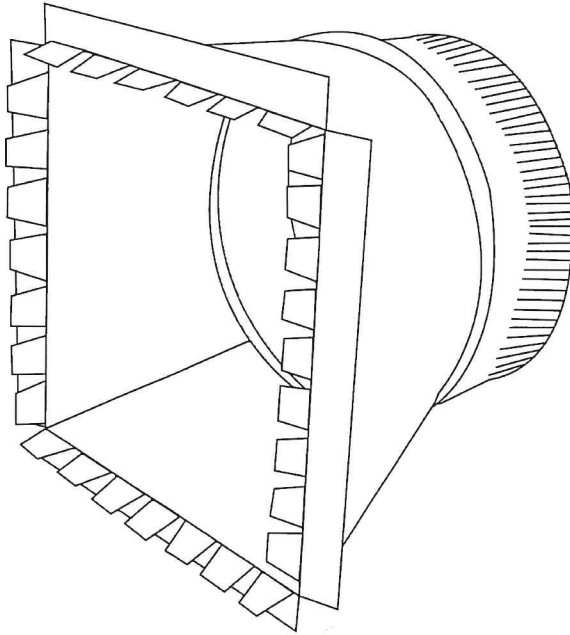
Philadelphia, PA • Greenville, SC • Indianapolis, IN • Southaven, MS • Fremont, NE • Caldwell, ID

Corporate Headquarters: 2800 Red Lion Road, Philadelphia PA 19114

tel: (800) 523-1052 • fax (800) 722-2076 • www.southwarkmetal.com

**SUBMITTAL DRAWING**

**METAL SIDE ROUND TAKEOFF  
(MODEL NO: 63)**



Product Availability

Pipe Size	Base Opening	Overall Length	Collar Length
4"	6" x 6"	7"	2"
5"	6" x 6"	7"	2"
6"	6" x 6"	7"	2"
7"	6" x 8"	7"	2"
8"	6" x 10"	7"	2"
9"	7" x 12"	10"	3½"
10"	7" x 14"	10"	3½"
12"	8" x 18"	12"	3½"
14"	8" x 20"	12"	3½"

**NOTES**

- Material: Hot Dipped Galvanized Steel per ASTM A653 CS Type B
- 30 gauge
- All flanges ½" long
- All tabs ⅝" long

JOB NAME: \_\_\_\_\_  
 LOCATION: \_\_\_\_\_  
 ARCHITECT: \_\_\_\_\_  
 ENGINEER: \_\_\_\_\_  
 CONTRACTOR: \_\_\_\_\_

DATE: 9/19/13    SW-63PHL    SD-0114  
 Metal Side Round Takeoff  
 MODEL NO: 63