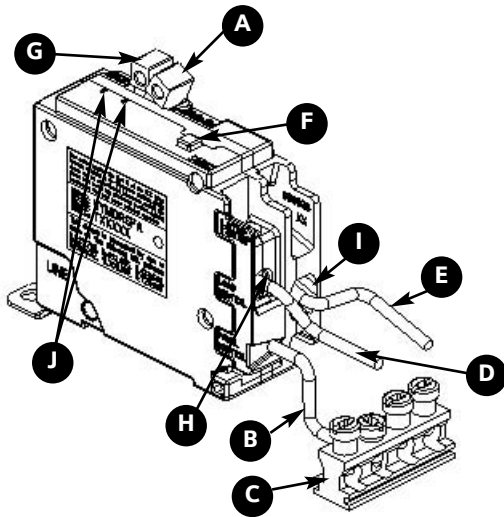


Circuit Breaker and Combination Type AFCI



- A Breaker Handle
- B Neutral (pig tail) Wire
- C Panel Neutral
- D Load Neutral Wire
- E Load Power Wire
- F Blue Test Button
- G Handle Tripped Center Position
- H Neutral Terminal
- I Load Terminal
- J Two Yellow LEDs



Features

- Plug-in circuit breaker
- LED trip indicators
- 10kA interrupting rating
- 22kA interrupting rating for "H" models
- UL Listed
- 120 Volts AC
- Wire range #14 – 8 AWG
- Padlocking device available, use catalog number ECPLD1
- Handle blocking device available, use catalog number ECBX231M

Technical Specifications

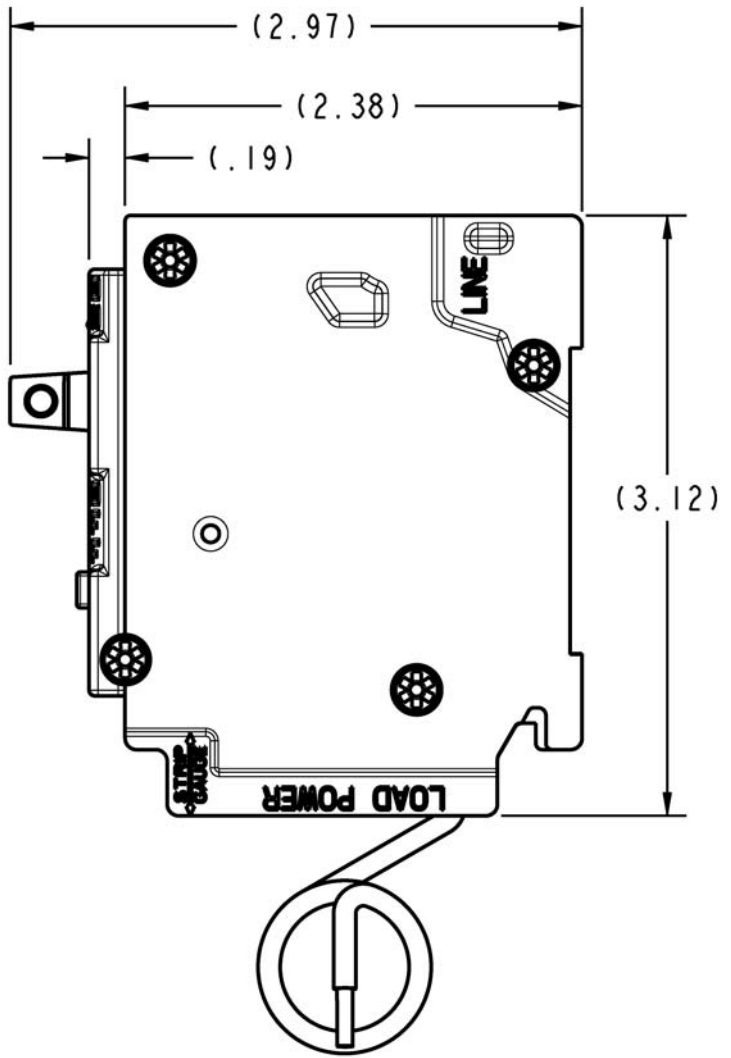
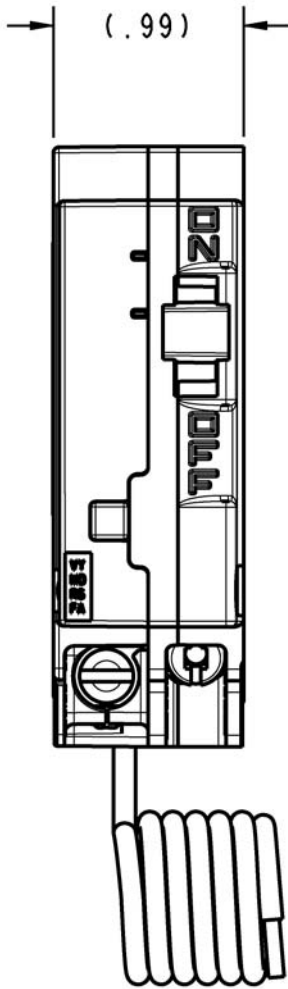
Catalog Number	Ampere Rating	Interrupting Rating	UL Type
MP115AFC	15	10kA	MP-AT
MP120AFC	20	10kA	MP-AT
MP115AFCH	15	22kA	MP-HAT
MP120AFCH	20	22kA	MP-HAT

fastfax

MURRAY

Circuit Breaker and Combination Type AFCI

Outline Drawings (inches)



Circuit Breaker and Combination Type AFCI Time Current Characteristic Curves

