



Incandescent

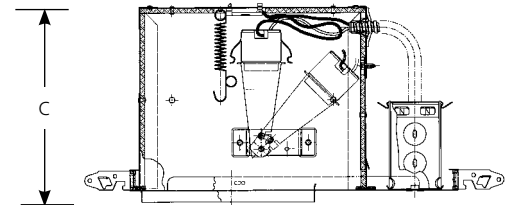
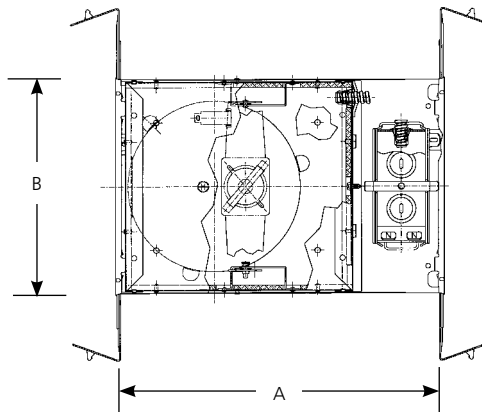
6" 45 Degree Slope Ceiling Housing IC

Recessed

Type _____

P645-TG

Catalog No.	Lamping	Dimensions (Inches)		
		A	B	C
P645-TG	75w Par30/65w BR30	13	8-3/8	7-5/8 6-7/8 ceiling opening



• Trim must be ordered separately.

Specifications:

Wiring

- Universal heavy gauge junction box screw-lock door
- Knock out free integral Romex clamps
- Access door in housing for field inspection of wiring
- Universal J-box with snap-out sides
- Grounding pigtail
- 1/2" & 3/4" pryouts for grid conduit or BX fittings

Construction

- All aluminum outer housing
- Fits into 2x8 construction
- Notched housing for chalking alignment
- Porcelain socket with nickel-plated brass screw shell

Bar Hangers

- Nail grip hanger bars
- Integral T-bar ceiling clamps on hanger bars
- Hanger bars will span 24" T-bar spacing
- Bar hanger locks to secure housing in position

Labeling

- UL-CUL Damp location listed and feed through branch wiring
- IC rated

Lamp/Trim

- Lamp in vertical position from 9-45 degree sloped ceiling (2/12 to 12/12)
- Lamp is adjustable from below ceiling
- Single spring attachment of trim

Progress Lighting
 701 Millennium Blvd.
 Greenville, South Carolina
 29607

www.progresslighting.com

Rev. 02/13