

Also available with 12, 16, 24, or 32 cells

**FEATURES**

- Nominal 3" deep louver
- Fluorescent, energy efficient light source
- Black reveal
- Matte anodized low iridescent, semi-specular (MA) louver finish virtually eliminates visibility of fingerprints and construction dust
- Shallow housing height
- Lightweight
- UL Listed 1598

**PROJECT INFORMATION**

Project Name \_\_\_\_\_

Type \_\_\_\_\_

Catalog No. \_\_\_\_\_

Date \_\_\_\_\_

**CONSTRUCTION**

Luminaire housing and end caps are die formed code gauge cold rolled steel. Louver is formed from DuraLouver® anodized aluminum and secured in open or closed position by die formed steel hinges. Louver hinges from either side. Mechanical light trap prevents light leaks. Latches are finger-tip actuated, positive feed type, fabricated of spring steel, and completely concealed in the black reveal.

**FINISH**

Parts are treated with a five stage phosphate bonding process and finished with a high temperature baked white enamel. For post painted housing, suffix catalog number with PAF. Regressed slots are flat black. Anodized aluminum DuraLouver standard finish is matte anodized low iridescent (MA).

**INSTALLATION**

An access plate is furnished with each luminaire for fast wiring access from the plenum. No need to open fixture. Product ships standard with mylar dust cover to eliminate job site contamination.

**BALLASTS**

Energy efficient, thermally protected, automatic resetting, Class P, high power factor, sound rated A, magnetic or electronic ballasts. CEE NEMA Premium compliant.

**ELECTRICAL**

Standard class "P", thermally protected, autoresetting HPF ballast, sound rated A. CEE NEMA Premium compliant. All ballast leads extend a minimum of 6" through access location. NEC/CEC-compliant ballast disconnect is standard.

**CEILING COMPATIBILITY**

Designed for recessed installation in standard inverted tee grid ceilings (G) or recessed installation in hard ceilings (G with FK accessory). For compatibility with specific ceilings contact your Hubbell Lighting representative.

**CERTIFICATION**

All luminaires are built to UL 1598 standards and bear appropriate UL and cUL or CSA labels. Damp location labeling is standard. Emergency-equipped fixtures labeled UL 924.

**ORDERING INFORMATION**

**EXAMPLE P4D24-232G-MA36-S-EU**

P4D		24 -		32		G -		MA		3		6 -		S -			
<b>MODEL</b>		<b>NO. OF LAMPS</b>		<b>CEILING TYPE</b>		<b>NO. CELLS CROSSWISE</b>		<b>NO. CELLS LENGTHWISE</b>		<b>BALLAST</b>		<b>OPTIONS</b>					
P4D DuraLouver Parabolic		2 Two 3 Three		G Inverted T-bar <sup>1</sup> <small>For hard ceilings use flange kit; see accessories.</small>		3 Three		6 Six		E Electronic T8, Instant Start 3E 3-Lamp Electronic T8, Instant Start EP Electronic T8, Programmed Start 3EP 3-Lamp Electronic T8, Programmed Start <small>For a specific ballast vendor show as option.</small>		GLR Fast Blow Fuse GMF Slow Blow Fuse EL Emergency Battery Pack F835 35K 78+ CRI Full Wattage T8 Lamps Installed F0835 35K 82 CRI T8 Lamps Installed C388 3-Wire Flex C488 4-Wire Flex TB Two Bulk T-bar Clips TB4 Four Bulk T-bar Clips PAF Paint After Fabrication					
<b>SIZE</b>		<b>ACCESSORIES</b>		<b>LAMP TYPE</b>		<b>LOUVER FINISH</b>		<b>AIR FUNCTIONS</b>		<b>VOLTAGE</b>							
24 2'x4'		FK24 2'x4' Single Flange Kit FKCR Flange Kit Row Adapter Brackets		32 4', T8: 32, 30, 28 or 25 Watt		MA Matte Anodized Low Iridescent Semi-Specular Aluminum (std.)		S Static <sup>2</sup>		U 120V-277V 347 347V							

<sup>1</sup> For drywall order G ceiling type with FK flange kit accessories.

<sup>2</sup> Fixtures supplied with integral T-bar clips.

Protected by US Patent 6,582,098.  
Specifications subject to change without notice.

### PHOTOMETRIC DATA

Test 12454 Test Date 3/14/00

#### LUMINAIRE DATA

Luminaire	P4D24-232-MA26 P4D, Parabolic 2' X 4' 2 LAMP WITH 2X6 CELL MATTE ALUMINUM LOUVER
Ballast	B2321120RH
Ballast Factor	0.88
Lamp	F32T8
Lumens per Lamp	2900
Watts	56
Shielding Angle	0° = 20 90° = 29
Spacing Criterion	0° = 1.22 90° = 1.56

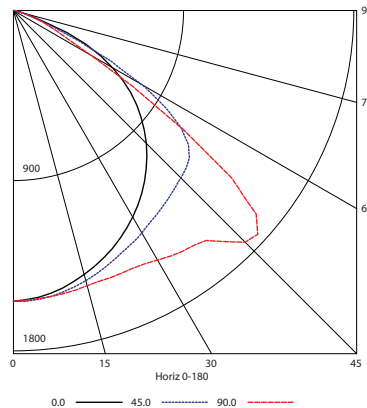
#### ZONAL LUMEN SUMMARY

Zone	Lumens	Lamp	Fixt.
0-30	1214	20.9	27.7
0-40	2057	35.5	46.9
0-60	3934	67.8	89.8
0-90	4381	75.5	100.0
0-180	4381	75.5	100.0

#### ENERGY DATA

Total Luminaire Efficiency	75.5%
Luminaire Efficacy Rating (LER)	69
IESNA RP-1-1993 Compliance	Noncompliant
Comparative Yearly Lighting Energy Cost per 1000 Lumens	\$3.48 based on 3000 hrs. and \$0.08 per KWH

#### INDOOR CANDELA PLOT



#### AVG. LUMINANCE (Candela/Sq. M.)

Average Luminance Angle	0.0	22.5	45.0	67.5	90.0
0	2535	2535	2535	2535	2535
30	2402	2446	2587	2785	2901
40	2352	2448	2765	3170	3418
45	2317	2466	2919	3567	4038
50	2264	2479	3116	3886	4299
55	2174	2473	3109	3328	3152
60	1999	2336	2590	1871	1541
65	1647	1866	1518	976	952
70	839	965	695	613	617
75	363	351	325	312	280
80	219	209	171	162	152
85	151	132	114	114	95

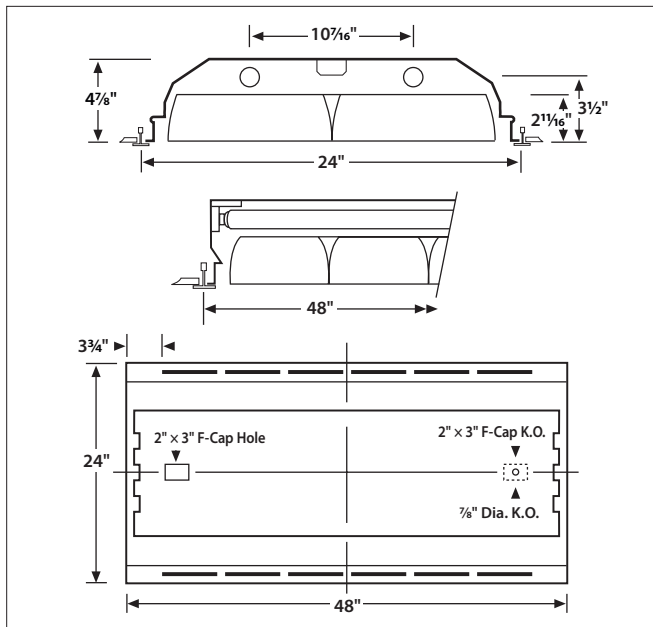
#### COEFFICIENTS OF UTILIZATION (%)

RCR	RW	80				70				50				0
		70	50	30	10	70	50	30	10	50	30	10	0	
1	83	80	78	75	81	79	76	74	76	73	72	66	0	
2	77	71	66	63	75	70	65	62	67	63	60	56	0	
3	70	63	57	53	68	62	56	52	59	55	51	48	0	
4	64	56	49	45	62	55	49	44	53	48	44	41	0	
5	59	50	43	38	57	49	43	38	47	42	38	35	0	
6	54	45	38	33	53	44	38	33	43	37	33	31	0	
7	50	40	34	29	49	40	34	29	39	33	29	27	0	
8	47	37	30	26	46	36	30	26	35	30	26	24	0	
9	44	34	27	23	42	33	27	23	32	27	23	21	0	
10	41	31	25	21	40	30	25	21	30	24	21	19	0	

RCR = Room Cavity Ratio

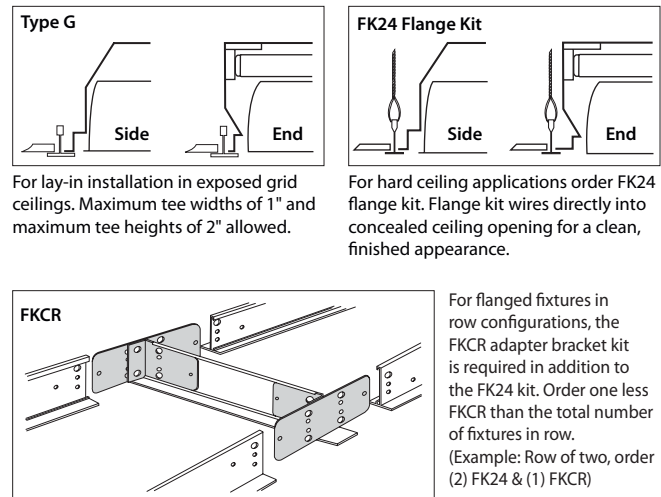
RC = Effective Ceiling Cavity Reflectance RW = Wall Reflectance

#### DIMENSIONAL DATA



**NOTE:** All dimensions are in inches; dimensions and specifications are subject to change without notice. Please consult factory or check sample for verification.

#### CEILING COMPATIBILITY



For lay-in installation in exposed grid ceilings. Maximum tee widths of 1" and maximum tee heights of 2" allowed.

For hard ceiling applications order FK24 flange kit. Flange kit wires directly into concealed ceiling opening for a clean, finished appearance.

For flanged fixtures in row configurations, the FKCR adapter bracket kit is required in addition to the FK24 kit. Order one less FKCR than the total number of fixtures in row. (Example: Row of two, order (2) FK24 & (1) FKCR)

Row cut out dimensions using FK24s & FKCR adapters: Width 24 3/8", Length [48" x (# in row)] + 3/8". Example: (48" x 2) + 3/8" = 96 3/8"

Flange kit rough in dimensions for single unit only: 24 3/8" x 48 3/8"