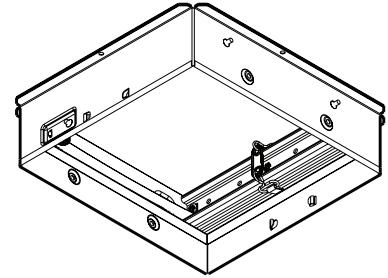


# RDM1 RADIATION DAMPER FOR VENTILATION FANS



Radiation damper for use with Broan and NuTone ventilation fans (sold separately).

### FEATURES

- For use in 1, 2 and 3 hour rated floor-ceiling and roof-ceiling constructions
- Galvanized steel frame
- High temperature, non-asbestos, reinforced fiber thermal fabric
- Stainless steel closure springs
- 165°F fusible link
- Separate outer frame allows complete fan and damper serviceability without disturbing the surrounding ceiling material
- Includes light jumper cable
- Meets or exceeds NFPA-90A
- UL Classified (UL-555C)

RDM1 for use with the following ventilation fan models:

**Broan** A000HF, A000HFC, A000HL, A110, A110C, A110F, A110FC, A110HF, A80, A80C, A80F, A80FC, A80HD, A80HDF, AE110, AE110C, AE110F, AE110FC, AE110L, AE50, AE50F, AE80, AE80B, AE80BF, AE80BL, AE80BLF, AE80F, AE80L, AE80LF, AE80S, AE80SL, AE110S, AE110SL, A000HFS

**NuTone** AEN110, AEN110C, AEN110F, AEN110L, AEN50, AEN50F, AEN80, AEN80B, AEN80BF, AEN80BL, AEN80BLF, AEN80F, AEN80L, AEN80LF, AN000HF, AN000HFC, AN000HL, AN110, AN110C, AN110F, AN110FC, AN110HF, AN80C, AN80FC, AN80HDF

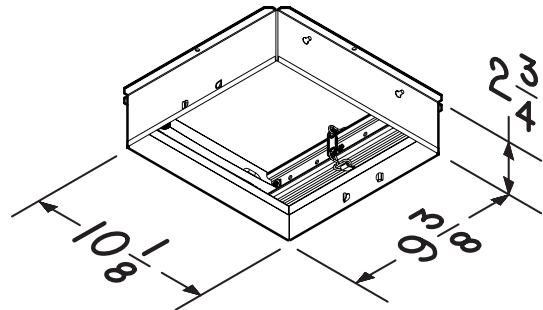
### TYPICAL SPECIFICATION

Radiation damper shall be Broan/NuTone RDM1 suitable for use with the following ventilation fan models:

**Broan** A000HF, A000HFC, A000HL, A110, A110C, A110F, A110FC, A110HF, A80, A80C, A80F, A80FC, A80HD, A80HDF, AE110, AE110C, AE110F, AE110FC, AE110L, AE50, AE50F, AE80, AE80B, AE80BF, AE80BL, AE80BLF, AE80F, AE80L, AE80LF, AE80S, AE80SL, AE110S, AE110SL, A000HFS

**NuTone** AEN110, AEN110C, AEN110F, AEN110L, AEN50, AEN50F, AEN80, AEN80B, AEN80BF, AEN80BL, AEN80BLF, AEN80F, AEN80L, AEN80LF, AN000HF, AN000HFC, AN000HL, AN110, AN110C, AN110F, AN110FC, AN110HF, AN80C, AN80FC, AN80HDF

Radiation damper shall be rated for use in up to three hour ceiling constructions. It shall be UL Classified (UL-555C) and meets or exceeds NFPA-90A.



SEE DETAILS ON  
UL CLASSIFICATION  
MARKING ON PRODUCT

Broan-NuTone LLC Hartford, Wisconsin www.broan.com www.nutone.com 800-558-1711  
Broan-NuTone Canada Mississauga, Ontario www.broan.ca www.nutone.ca 877-896-1119

REFERENCE	QTY.	REMARKS	Project
			Location
			Architect
			Engineer
			Contractor
			Submitted by
			Date