

For Residential and Commercial Applications

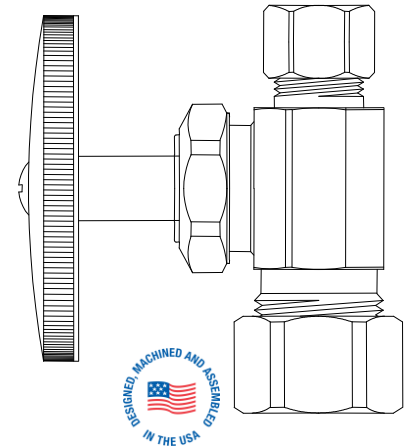
Job Name		Engineer / Architect	
Job Location		Wholesaler	
Submittal Date		Contractor	

OCR11/ OCR14/ OCR34/ OCR44 Multi-Turn Straight Stop – Compression x Compression

Use: For use in potable water distribution systems. Not intended for recirculating water systems that produce continuous use temperatures above 115° F. For those applications, use our KT™ series ball stops

Design Features:

- **Machined one-piece brass body** provides strength, durability, and long-lasting performance
- **Knurled oval handle** provides a secure grip and smooth on/off operation
- **Easy-to-remove handle** with screw attachment helps protect against accidental stop operation during rough-ins
- **100% Compliant product** available



Operating Specifications:

Temperature: 40° - 140° F
Pressure: 125 PSI maximum

Standard

STOP MATERIAL SPECIFICATIONS	
Body	Brass or brass, chrome plated
Stem	POM; brass; or brass, chrome plated*
Bib & Packing Washers	Rubber
Packing Nut	Brass or brass, chrome plated
Handle	Zinc, die cast plated; ABS, plated; or Polycarbonate
Handle Screw	Steel, zinc plated
Compression Sleeve	Brass
Compression Nut	Brass or brass, chrome plated

Compliant

STOP MATERIAL SPECIFICATIONS	
Body	Compliant brass or Compliant brass, chrome plated
Stem	POM; Compliant brass; or Compliant brass, chrome plated*
Bib & Packing Washers	Rubber
Packing Nut	Brass or brass, chrome plated
Handle	Zinc, die cast plated; ABS, plated; or Polycarbonate
Handle Screw	Steel, zinc plated
Compression Sleeve	Brass
Compression Nut	Brass or brass, chrome plated

*Where specified

Standard Part Listing:

- OCR11 C 1/4" nom compression x 3/8" OD compression, chrome plated
- OCR11 CBT 1/4" nom compression x 3/8" OD compression, chrome plated, bulk, plain tray
- OCR11 C1 1/4" nom compression x 3/8" OD compression, chrome plated, window box
- OCR11 R 1/4" nom compression x 3/8" OD compression, rough brass
- OCR11Z C 1/4" nom compression x 3/8" OD compression, brass stem, chrome plated
- OCR14 C 1/2" nom compression x 3/8" OD compression, chrome plated
- OCR14 CBT 1/2" nom compression x 3/8" OD compression, chrome plated, bulk, plain tray
- OCR14 C1 1/2" nom compression x 3/8" OD compression, chrome plated, window tray
- OCR14 R 1/2" nom compression x 3/8" OD compression, rough brass

This specification and all information contained herein is the confidential and exclusive property of BrassCraft Manufacturing, and shall not be disclosed to others without the written consent of BrassCraft Mfg. This specification must be returned to BrassCraft Mfg if requested.



OCR11/ OCR14/ OCR34/ OCR44 Multi-Turn Straight Stop – Compression x Compression

Standard Part Listing (con't):

- OCR14 RBT 1/2" nom compression x 3/8" OD compression, rough brass, bulk, plain tray
- OCR14 R1 1/2" nom compression x 3/8" OD compression, rough brass, window tray
- OCR14Z C 1/2" nom compression x 3/8" OD compression, brass stem, chrome plated
- OCR14Z R 1/2" nom compression x 3/8" OD compression, brass stem, rough brass
- OCR14 NP 1/2" nom compression x 3/8" OD compression, polished nickel
- OCR14 NS 1/2" nom compression x 3/8" OD compression, satin nickel
- OCR14 BZ 1/2" nom compression x 3/8" OD compression, oil rubbed bronze
- OCR14 P 1/2" nom compression x 3/8" OD compression, polished brass
- OCR14PX C 1/2" nom compression w/ PEX stainless steel insert x 3/8" OD compression, chrome plated
- OCR34 C 1/2" nom compression x 1/2" OD compression, chrome plated
- OCR34 CBT 1/2" nom compression x 1/2" OD compression, chrome plated, bulk, plain tray
- OCR34 C1 1/2" nom compression x 1/2" OD compression, chrome plated, window tray
- OCR34 R 1/2" nom compression x 1/2" OD compression, rough brass
- OCR34Z C 1/2" nom compression x 1/2" OD compression, brass stem, chrome plated
- OCR34Z R 1/2" nom compression x 1/2" OD compression, brass stem, rough brass
- OCR44PX C 1/2" nom compression w/ PEX stainless steel insert x 1/2" nom compression, chrome plated
- OCR44PX R 1/2" nom compression w/ PEX stainless steel insert x 1/2" nom compression, rough brass

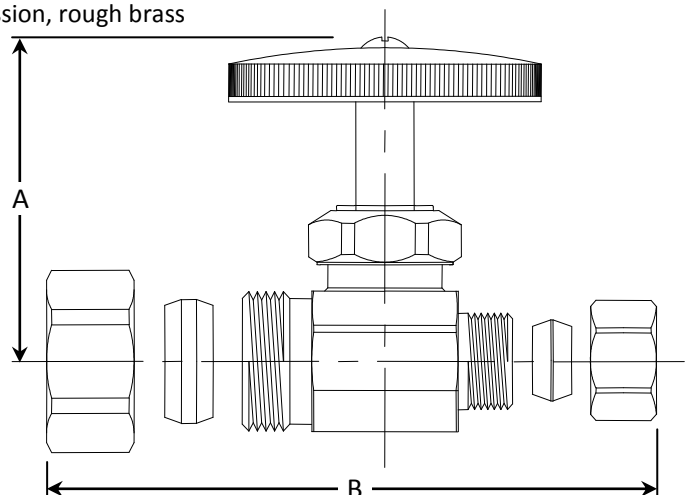
Compliant Part Listing:

- OCR14X C 1/2" nom compression x 3/8" OD compression, chrome plated
- OCR14X C1 1/2" nom compression x 3/8" OD compression, chrome plated, window box
- OCR14X R 1/2" nom compression x 3/8" OD compression, rough brass
- OCR14X R1 1/2" nom compression x 3/8" OD compression, rough brass, window box
- OCR14ZX C 1/2" nom compression x 3/8" OD compression, brass stem, chrome plated
- OCR34X C 1/2" nom compression x 1/2" OD compression, chrome plated
- OCR34X C1 1/2" nom compression x 1/2" OD compression, chrome plated, window box
- OCR34X R 1/2" nom compression x 1/2" OD compression, rough brass
- OCR3AX C 3/8" nom compression x 1/2" OD compression, chrome plated
- OCR3AX R 3/8" nom compression x 1/2" OD compression, rough brass

PART DIMENSIONS (Inches)		
Model	DIM. A	DIM. B
OCR11	1.80	2.12
OCR14 (OCR14PX)	1.80	2.25
OCR14Z	1.80	2.25
OCR34	1.80	2.30

Listings & Certifications:

- IAPMO listed to ASME A112.18.1 / CSA B125.1 (File # 0645)
- CSA listed to ASME A112.18.1 / CSA B125.1 (File # 204593)
- Compliant product CSA listed to Low Lead Content Certification Program – Plumbing Products Class 6853-01



This specification and all information contained herein is the confidential and exclusive property of BrassCraft Manufacturing, and shall not be disclosed to others without the written consent of BrassCraft Mfg. This specification must be returned to BrassCraft Mfg if requested.

BrassCraft[®]