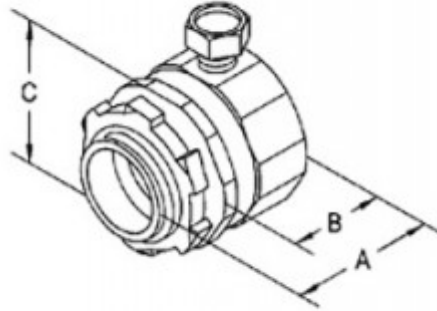


1" Malleable Iron Rigid Set Screw Connector

Rigid set screw type connector used to join Rigid or IMC conduit to a box or enclosure.

[Download Photo](#)[Download Drawing](#)

Product details

Catalog Number:	3502
UPC Number:	781747035028
Primary Materials:	Malleable Iron
Finish:	Zinc Plated
Trade Size:	1"
Unit Quantity:	25
Standard Package Quantity:	250

Dimensions

Trade Size:	1"
Dimensions A:	1-15/16
Dimensions B:	9/16
Dimensions C:	1-7/8

Certifications & Codes

Federal Specification Number: A-A-50553

UL File Number: E9391

UNSPSC: 39121311

Nema Standard: FB-1

UL Standard: UL-514B