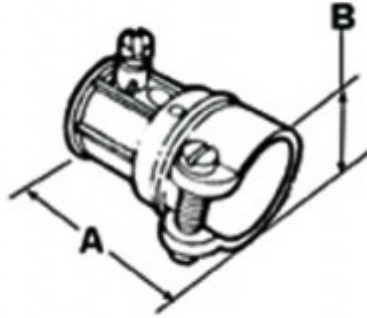


## Coupling, Combination, Zinc Die Cast, Flex Size 3/4 Inch

Used to join EMT to flexible metal conduit. 282-DC is squeeze type for flexible metal conduit. Set screw type for EMT end.

[Download Photo](#)[Download Drawing](#)

### Product details

<b>Catalog Number:</b>	282-DC
<b>UPC Number:</b>	78174709282
<b>Primary Materials:</b>	Zinc Die Cast
<b>Finish:</b>	Ball burnished, mirror smooth
<b>Trade Size:</b>	3/4" - 3/4"
<b>Unit Quantity:</b>	25
<b>Standard Package Quantity:</b>	100

### Dimensions

<b>Trade Size:</b>	3/4" - 3/4"
<b>Dimensions A:</b>	2
<b>Dimensions B:</b>	1-5/8

### Certifications & Codes

**Federal Specification Number:** A-A-50552

**UL File Number:** E9391

**UNSPSC:** 39131707

**Nema Standard:** FB-1

**UL Standard:** UL-514B